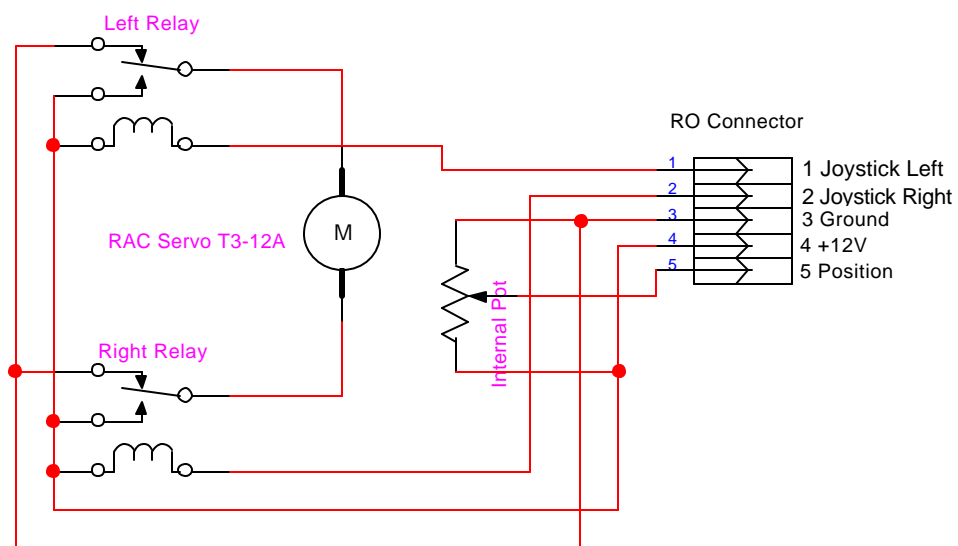


N55UP Dragonfly Roll Servo Wiring
Dave Morris 30 November 2003



- Notes:**
1. 12VDC pin should be fed from a 0.5A fuse
 2. Joystick LEFT and RIGHT switches are momentary to ground
 3. The RAC servo has end-travel limit switches