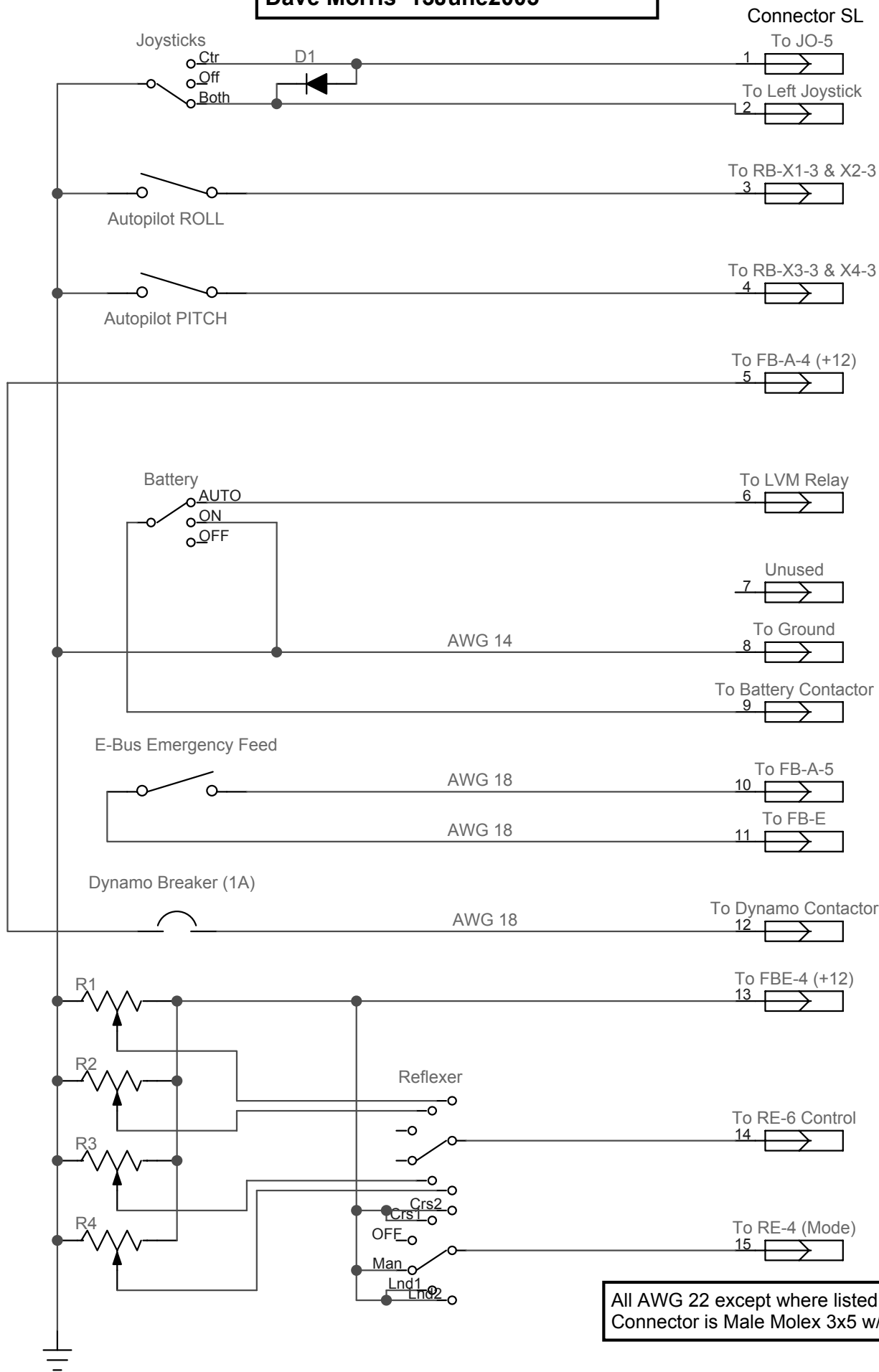


**N75UP Dragonfly Left Switch Panel**  
**Dave Morris 13June2005**



All AWG 22 except where listed  
 Connector is Male Molex 3x5 w/male pins